

No.	Date	Revision

Owner:  
NATIONAL INDOOR  
RV CENTERS, LLC  
LAWRENCEVILLE,  
GEORGIA 30043

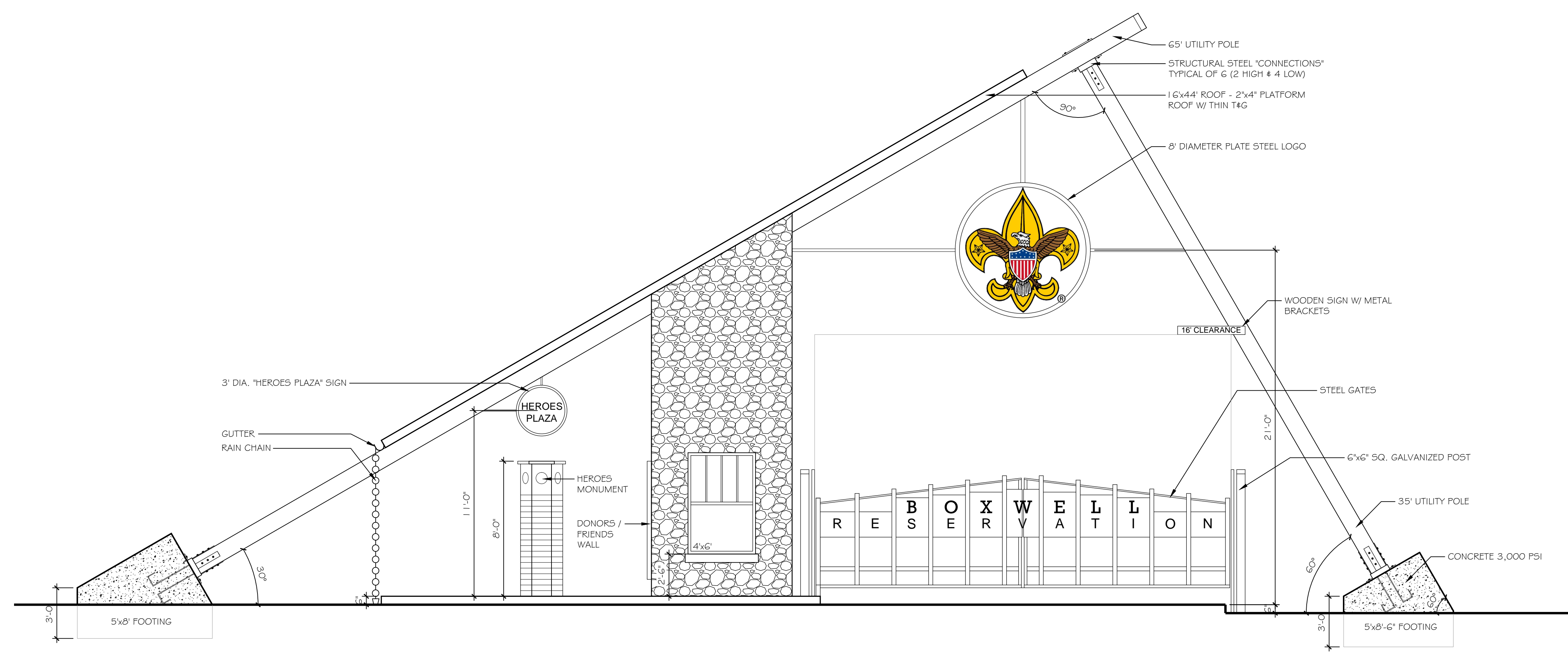
Project:  
**BOXWELL  
RESERVATION  
GATEWAY**  
&  
HEROES/DONORS/FRIENDS  
PLAZA

FLOOR PLAN,  
BUILDING  
ELEVATION, &  
SITE PLAN

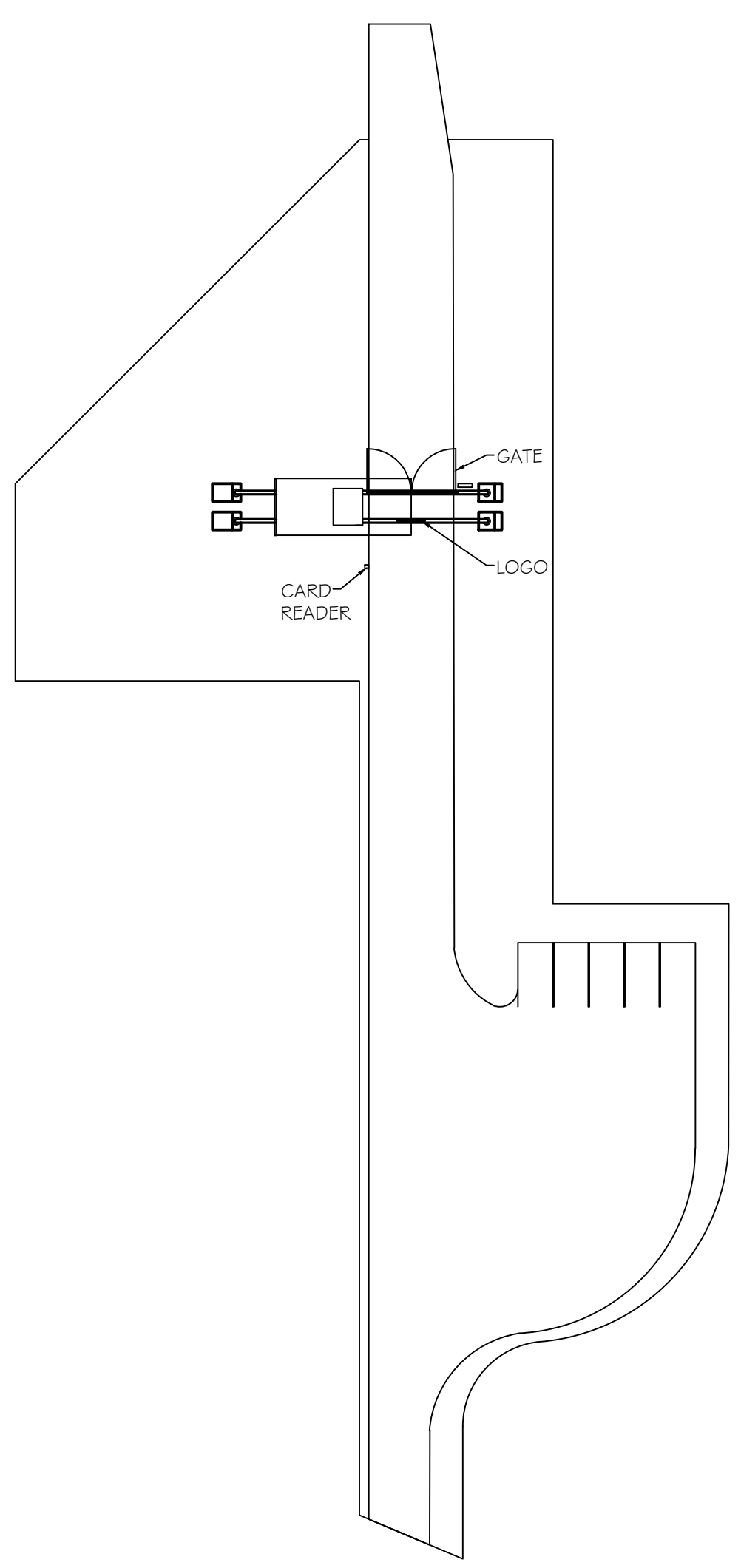
CONSTRUCTION DOCUMENTS

job no.: 21039  
date: 01/12/2022  
by: SDH  
app: RP  
file name: 21039/BOXWELL-PLAN  
sheet no.:

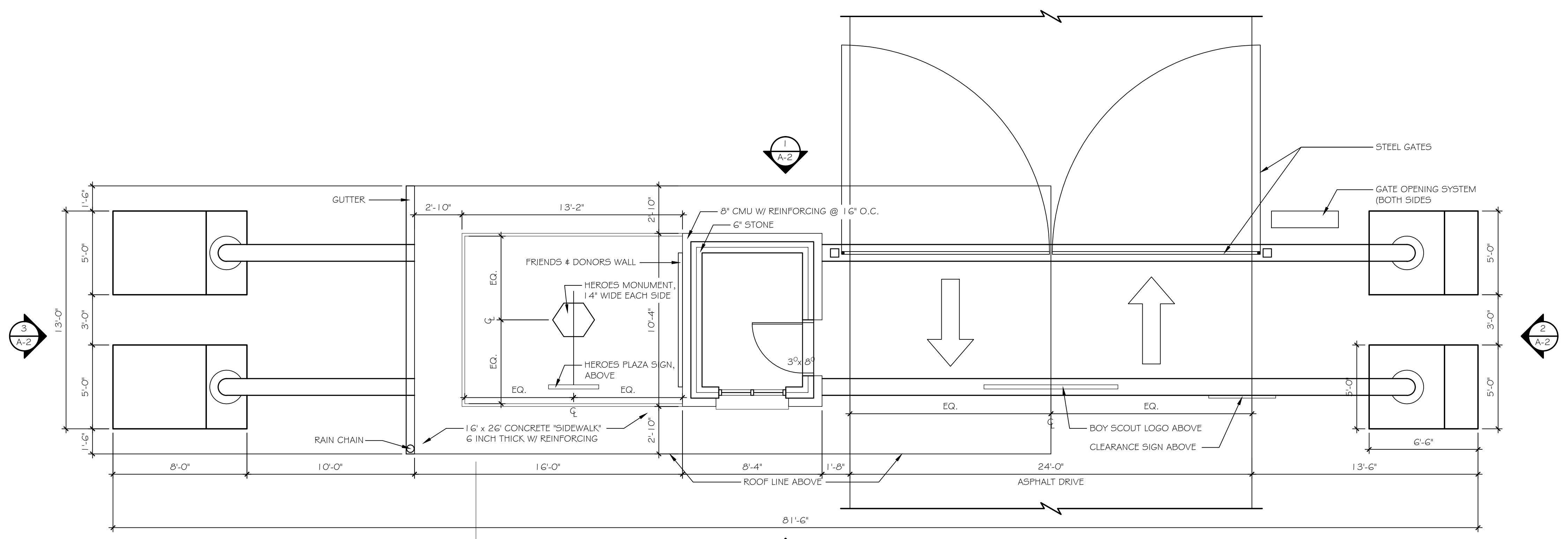
A-1



**2 ELEVATION**  
SCALE: 1/4" = 1'-0"



**3 SITE PLAN**  
SCALE: 1" = 40'-0"



**1 FLOOR PLAN**  
SCALE: 1/4" = 1'-0"